

SHOGUN

FUSO

Shogun FV74 6X4 - MY21

12.8 L / AMT / AIR SUSP. / MWB



OUR SAFEST AND CLEANEST SHOGUN YET. THE MY21 SHOGUN IS EQUIPPED WITH ABA5, PD, LDWS, ESP, AAA, IHC, DRL AND A EURO VI STEP D ENGINE. ALL BACKED BY OUR CLASS LEADING SERVICE INTERVALS AND 5 YEAR WARRANTY.

GVM

26,000_{KG}

GCM

63,000_{KG}

Power/Torque

375_{KW} / 2500_{NM}

- Heavy rigid licence required
- Actual vehicle may differ from above image

DAIMLER

FUSO.COM.AU

FUSO

JOB DONE

SPECIFICATIONS



SHOGUN

MODEL

6x4 FV74 510Hp Air Susp. MWB 12 Sp. AMT FV74VK9VFAA-MY21

WHEEL BASE

4300mm

GVM (optional)

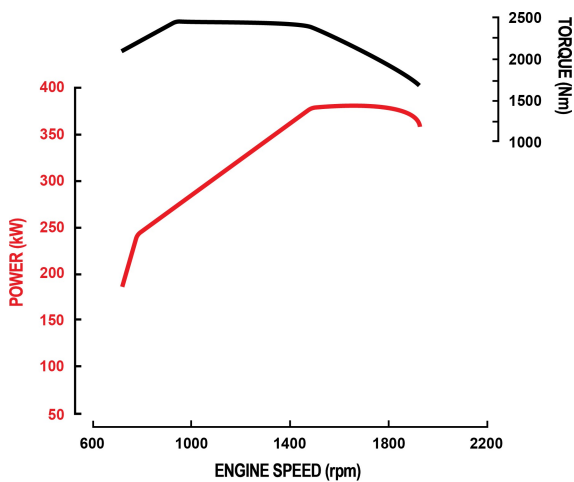
26,000kg

GCM (optional)

63,000kg

Engine

Engine Version	FUSO OM471-T9 Diesel
Configuration	6 Cyl. In-line DOHC, 4-Valve
Type	Asymmetric Turbocharger, Air to Air Intercooler
Displacement	12.8 litre 12809 cc
Bore	132 mm
Stroke	156 mm
Power (DIN)	375kW @ 1600 rpm
Torque (DIN)	2500 Nm @ 1100 rpm
Maximum Engine Speed	2100 rpm
Compression Ratio	18.3 : 1
Emission Control	Diesel Particulate Filter (DPF) plus SCR After-Treatment System
Emission Level	ADR 80/03 - Euro VI



Fuel

Injection System	Common Rail Direct Injection with Pressure Booster
Tank Type	Rectangular Alloy Tank with Locking Cap
Fuel Capacity *	400 Litres
Filtration	Filter with Water Separator and Dash Indicator
AdBlue Exhaust Fluid Capacity	60 Litres, Tank fitted with locking AdBlue cap
Speed Limiter	Speed Limited 100km/h
Notes	*Max Fill to approx 95% of Air Capacity

Cooling

Fan Drive	Electronically controlled (Viscous)
Radiator	Corrugated Fin with Expansion Tank

Electrical

Voltage	24V Negative Ground
Battery Capacity	2x12V, 150Ah/20hr
Battery Specification	2x145G51 (N150)
Headlamp Type	Automatic Type Low Beam: LED High Beam: Halogen
Fog Light	Halogen
Daytime Running Lamps	LED

Clutch

Clutch Model	FUSO K7/2X400
Type	Twin Dry Plate
Operation/Specification	Automated Manual (no clutch pedal)

Transmission

Version	FUSO Automated Manual G330-12
Type/Speeds	12 Speed Automated Manual with Auto, Economy and Heavy Modes
Features	Crawler Mode Rocking-Free Mode Skip Shift Function for Light Loads
Ratios	1st: 11.639 2nd: 9.020 3rd: 7.035 4th: 5.452 5th: 4.400 6th: 3.410 7th: 2.645 8th: 2.050 9th: 1.599 10th: 1.239 11th: 1.000 12th: 0.775 RHigh: 9.900 RLow: 12.774
PTO Opening	Rear of Transmission

Propeller Shaft

Type	Single Main Shaft GW5E2200 Inter-axle Shaft P12
------	--

Front Axle

Axle Version	FUSO F900T
Type	Reverse Elliot 'I' Beam
Capacity *	7100kg
Notes	*See MAX LOADING for vehicle capacity.

Front Suspension

Type	Long Taper Leaf with Double Acting Shock Absorbers
Size	1500x90mm Leaves

Rear Axle

Type	Full Floating Hypoid Type Tandem Drive with Inter-Axle Diff Lock Optional Limited Slip Differential LSD to both Axles
Axle Version	FUSO R12TT/R12T
Capacity*	21600kg
Ratio	- Standard 4.222:1 - Optional 4.625:1

Rear Suspension

Type	Four Bag Air Suspension
Details	Trailing Arm with Double Acting Shock Absorber and ECAS with 2 Memory Positions
Road Friendly Certification Number	RF2011

Max Loading

Front	6500kg
Rear	21600kg
Total	26000kg

SPECIFICATIONS



SHOGUN

MODEL

6x4 FV74 510Hp Air Susp. MWB 12 Sp. AMT FV74VK9VFAA-MY21

WHEEL BASE

4300mm

GVM (optional)

26,000kg

GCM (optional)

63,000kg

Options

Options	<p>Q43: - Limited Slip Differential</p> <p>Q41: - 4.625:1 Rear Axle Ratio</p> <p>Q32: - Limited Slip Differential - 4.625:1 Rear Axle Ratio - Spare Tyre</p> <p>Q34: - Limited Slip Differential - Tyre Pressure Monitoring System - 4.625:1 Rear Axle Ratio - Spare Tyre</p>
---------	---

Steering

Type	Integral Ball and Nut
Steering Column	Tilt/Telescopic Adjustable

Brakes

Type	Full Air, Dual Circuit with FUSO Taper Rollers
Size Front	410x150mm
Size Rear	410x200mm
Features	Brake Priority System
Park Brake	Rear Wheel Spring Actuated
Engine	Jacobs Brake 3 Levels of Retardation
Trailer	Hand Control Valve, Air Lines Coupling and Electrical Cable

Wheels & Tyres

Wheel Type	10, Single Piece Alloy Disc
Wheel Size	22.5x8.25DC
Wheel Stud Pattern	10x335mm PCD
Tyre Brand	Bridgestone
Tyre Size Front	295/80R22.5 152/149
Tyre Size Rear	11R22.5 148/145
Tyre Size Spare	Optional - 295/80R22.5 152/149

Chassis

Type	Reinforced Parallel Channel
Size	300x90x7.0 mm
Width	840 mm
Tensile Strength	540 MPa

Instruments

Gauges	<p>Speedometer</p> <p>Tachometer</p> <p>Fuel Level</p> <p>Air Pressure</p> <p>AdBlue Level</p>
Colour Information Display	<p>Odometer</p> <p>Tripmeter (x2)</p> <p>Hour Meter (x2)</p> <p>Outside Temperature</p> <p>AdBlue Level</p> <p>DPF Information</p> <p>Driving Range (Fuel and AdBlue)</p> <p>Current Vehicle Speed</p> <p>Cruise Control</p> <p>Lane Departure Warning</p> <p>Active Attention Assist Warning</p> <p>Alarm Clock</p> <p>Level Control</p> <p>Service Indicator & Reminder System</p> <p>Air Pressure</p> <p>Coolant Temperature</p> <p>Engine Oil Level & Running Time</p>
Warning Lamps	<p>ABS</p> <p>ASR</p> <p>ESP</p> <p>ESP Off</p> <p>Turn Signal</p> <p>Headlamps</p> <p>High Beam</p> <p>Hill Holder</p> <p>Auxiliary Brake</p> <p>Parking Brake</p> <p>Engine Over-speed</p> <p>Air Pressure Low</p> <p>Height Control</p> <p>Cab Tilt Lock</p> <p>DPF Regeneration</p> <p>DPF Status</p> <p>AdBlue Empty</p> <p>AdBlue Contamination</p> <p>Active Brake Assist</p>
Warning Lamp/Buzzer	<p>Air Pressure</p> <p>Cab Tilt</p> <p>Engine Over-speed</p> <p>AdBlue Empty</p> <p>AdBlue Contamination</p>

Multi-Media Package

Satellite Navigation	Maps with heavy vehicle weight, length, height & hazardous material selectable restrictions with 3 years of Map updates
Colour Display	7 inch LCD with touch screen control
Phone Connectivity	Bluetooth® hands free
Audio Visual Entertainment	Bluetooth® music streaming compatible Digital radio DAB+ (also AM/FM for areas not covered by DAB+) USB & 3.5mm/AUX port
Reversing Camera Compatible	Display can accept up to 5 cameras#
Optional Accessories (available at additional cost)	Rear Mounted Parking Sensor Kit High or Low Tyre Pressure Monitoring System
Notes	# Cameras available through spare parts

SPECIFICATIONS



SHOGUN

MODEL

6x4 FV74 510Hp Air Susp. MWB 12 Sp. AMT FV74VK9VFAA-MY21

WHEEL BASE

4300mm

GVM (optional)

26,000kg

GCM (optional)

63,000kg

Standard Features

Cruise Control	Adaptive with Stop and Go
Hill Start System	Yes
Cab Cooling & Heating	Climate Control
Driving	Suspended Driver's Seat Premium Leather Steering Wheel Central Locking Electric Windows LH Transom Window Opening Rear Quarter Glass Cup Holder Fluorescent Cabin Lamp
Storage	Centre Storage Compartments (x3 Total, Lockable x1) Driver's Overhead Storage Door Storage Pockets Coat Hooks
Cab: External	Fog Lights Door Side Impact Beams Roof Mounting Points (max. static load 70kg) Front End-Outline Marker Lamps
Chassis	Integrated Front Underrun System (FUPS) Reverse Warning Buzzer Clear Top of Chassis Rail for ease of Body Fitment

Cab Features

Type	All Steel Forward Control Elec / Hyd Tilt Cab
Cab Structure	ECE-R29 Standard
Mounting	Air Suspended Front and Rear
Colour	Natural White
Windscreen Wipers	Automatic 2 Speed + Intermittent Cycle with Integrated Washer Nozzles
Rear Vision Mirrors	2 x External Flat Main Mirrors Plus Convex Spotters Motorised Main Mirrors, All Mirrors Heated
Seating Capacity	2
Seat Belts	2 x Lap Sash with ELR. Driver pre-tensioner
Seats (passenger)	Single Fixed
Sleeping	ADR42/04 Approved Sleeping Berth

Active Safety

Safety Systems	ABA5 - Active Brake Assist 5 PD - Pedestrian Detection AAA - Active Attention Assist PCA - Proximity Control Assist Cruise Control LDWS - Lane Departure Warning System ESP - Electronic Stability Program ABS - Anti-lock Braking System ASR - Anti Slip Regulator LED Headlamps DRL - Daytime Running Lamps IHC - Intelligent Headlight Control
Reverse Warning	Wide Dynamic Range Camera and Buzzer
Notes	Active Safety Systems primary function is to provide driver assistance to increase road safety in events of driver inattentiveness. These systems do not allow for lack of attention whilst driving and should not replace safe and alert driving.

Passive Safety

Airbags	SRS Airbag - Driver
Body Strength	ECE-R29 Cab Strength Compliant
Seat Belts - Driver & Driver Assistant	3 Point ELR Lap Sash, Driver Pre-Tensioner.

Service Intervals

Interval*	50,000km or 12 Months (whichever occurs first)
Notes	* based on normal operating conditions and may be reduced when operating under severe conditions.

Warranty

Basic/Powertrain	5 Years or 500,000kms (whichever occurs first)
Cab Perforation/Anti Corrosion	5 Years

Performance

Turning Circle (kerb to kerb - metres)	15.2
Electronically Speed Limited to:	100km/hr Conforms to ADR65/..
Gradeability at Rated GVM (theoretical)*	88.9%
Gradeability at Rated GCM (theoretical)*	28.2%
Notes	*This is theoretical performance only. Actual performance may vary under different conditions

Mass estimated*

Front*	4513kg
Rear*	3167kg
Total*	7680kg
Notes	* Mass (est.) includes oil and water but excludes spare wheel, tools & fuel. Weights provided are subject to 3.5% variation (+/-)

Dimensions mm

WFF (Width Front Fender) (mm)	2490
WRA (Width Rear Axle) (mm)	2485
WFT (Width Front Track) (mm)	2075
WRT (Width Rear Track) (mm)	1865
Width Frame (mm)	840
A - Length Overall (mm)	7640
B - Extreme Axle Spacing (mm)	4960
C - Front Overhang (mm)	1370
D - Wheelbase (mm)	4300
F - Rear Axle Spacing (mm)	1320
G - Front Axle to Rear of Cab (mm)	700
H - Rear of Cab to Rearmost Item Behind Cab (mm)	145
I - Rearmost Item Behind Cab to Rear Axle (mm)	3455
J - Frame, Rear Axle to End (mm)	1970
N - Height Overall (mm)	3300
O - Air Intake to Cab Roof (mm)	205
P - Height Cab to Ground (mm)	3095
Q - Height Cab to Frame (mm)	2090
R - Height Rear Frame to Ground (mm)	1027

Body Builder's Notes

Notes	Chassis reinforcement must be utilised for Tipper/Demountable type body configurations. To conform with ADR 13/00 (lighting requirements) the following must be adhered to at body installation. - If other than a flat type or tipper body is fitted, rear end out-line marker lamps must be installed. - If overall length exceeds 6.0 metres, side reflectors must be installed. - If overall length exceeds 7.5 metres, side marker lamps must be installed. To conform with ADR 42/04 (General Safety), rear wheel guards must be fitted to the vehicle.
-------	---

SPECIFICATIONS



SHOGUN

MODEL

6x4 FV74 510Hp Air Susp. MWB 12 Sp. AMT FV74VK9VF4A-MY21

WHEEL BASE

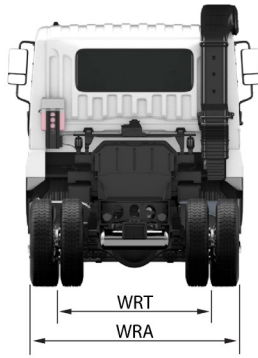
4300mm

GVM (optional)

26,000kg

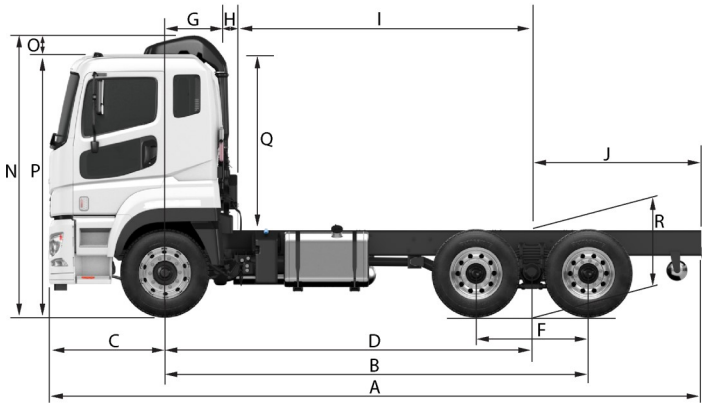
GCM (optional)

63,000kg



Call 1800 033 557

or visit fuso.com.au



Unless specified in writing herein the accessories, applications, bodies or equipment depicted in this are for illustration purposes only and may not be available from Daimler Truck and Bus Australia Pacific Pty Ltd. ABN 86 618 413 282 DTB. No representation or warranty whatsoever is given in relation to any accessories, applications, bodies or equipment or suitability of same that are shown herein that may be manufactured, supplied or fitted by a party other than DTB. DTB reserves the right without notice or obligation to discontinue or make changes to the colour, designs, materials and specifications of the products and options referred to herein at any time. For the most current information and in order to ascertain which accessories, applications, bodies and equipment are available from DTB please contact your authorised FUSO Truck and Bus dealer. Fuso is a registered trademark of Daimler Truck and Bus Australia Pacific Pty Ltd. Copyright DTB. Reproduction in whole or part prohibited without written approval. Valid from 12-Aug-21.