

FIGHTER

FUSO

Fighter 1124 Euro 6.

4x2 / 5-SP ALLISON AUTO / STEEL SUSP.



OUR SAFEST FIGHTER YET WITH ACTIVE MITIGATION BRAKE, LANE DEPARTURE WARNING SYSTEM, ELECTRONIC STABILITY PROGRAM AND ACTIVE SIDEGUARD ASSIST AS STANDARD.

GVM

11,000_{KG}

GCM

11,000_{KG}

Power/Torque

177_{KW} / 745_{NM}

- Medium rigid licence required.
- Actual vehicle may differ from above image

FUSO

FIGHTER SPECIFICATIONS

MODEL

4x2 1124 LWB Allison 5 Sp. Auto - FK62FLY5RFAL

WHEEL BASE

5210mm

GVM

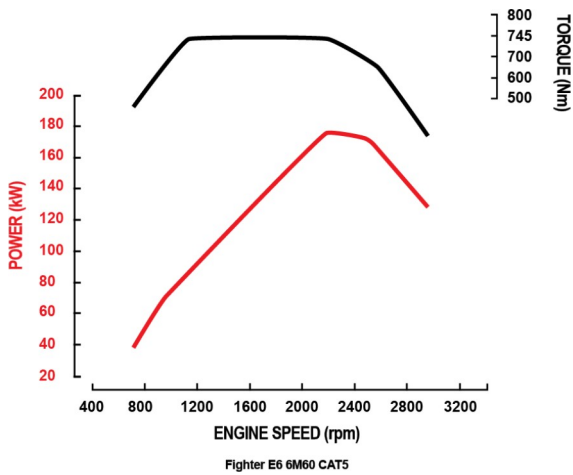
11,000kg

GCM

11,000kg

Engine

Engine Version	FUSO 6M60-CAT5 Diesel
Configuration	6 Cyl. In-line OHC, 4-Valve
Type	Variable Geometry Turbo Charged Air to Air Intercooler
Displacement	7.5 litre (7545cc)
Bore	118mm
Stroke	115mm
Power (ECE R85-00)	177kW @ 2270 rpm
Torque (ECE R85-00)	745Nm @ 950-2270 rpm
Maximum Engine Speed	2900 rpm
Compression Ratio	16.0:1
Cooling System / Oil Cooler	Water cooled, 23.0L capacity/ Plate type engine oil cooler
Air Cleaner	Paper Element Type with Restrictor Indicator. Mounted Underbody (RH)
Emission Control	Diesel Particulate Filter (DPF) Exhaust Gas Recirculation (EGR) Selective Catalytic Reduction (SCR)
Emission Level	ADR 80/03 - Euro VI



Fuel

Injection System	DENSO Common Rail System Electronically Controlled Direct Injection
Tank Type	Rectangular Steel Tank with Locking Cap
Fuel Capacity *	200 Litres
AdBlue Exhaust Fluid Capacity	23 Litres
Notes	*Max Fill to approx 95% of Air Capacity

Cooling

Fan Drive	Electronically controlled (Viscous)
Radiator	Corrugated Fin with Expansion Tank

Electrical

Voltage	24V Negative Earth
Battery Capacity	2x12V, 80Ah/5hr
Battery Specification	95E41R X2
Headlamp Type	Halogen
Headlamp Capacity	Low beam 2x70W High beam 2x70W
Fog Light	Halogen

Transmission

Version	Allison Automatic 2500 Series
Type/Speeds	5 Speed
Features	Generation 6 Control Systems
Ratios	1st: 3.512 2nd: 1.896 3rd: 1.439 4th: 1.000 5th 0.737 Rev. 5.086
Torque Converter/Stall Torque Ratio	TC222/1.58

Propeller Shaft

Type	P8
Universal Joint	Needle Roller

Front Axle

Axle Version	FUSO F500T
Type	Reverse Elliot 'I' Beam
Capacity *	5000kg
Notes	*See MAX LOADING for vehicle capacity.

Front Suspension

Type	Parabolic Leaf with Stabiliser Bar and Double Acting Shock Absorbers
Size	1300x70mm Leaves

Rear Axle

Type	Full Floating Hypoid
Axle Version	FUSO R052T
Capacity*	9500kg
Ratio	4.875:1
Notes	*See MAX LOADING for vehicle capacity.

Rear Suspension

Type	Steel Suspension
Details	Semi-Elliptic Leaf with Stabiliser Bar
Size Main Leaves	1300x70mm
Size Helper Leaves	900x70mm

Max Loading

Front	4480kg
Rear	8480kg
Total	11000kg
Notes	GCM 11,000 kg, no towing capacity.

Steering

Type	Integral Power Assisted Ball and Nut
Steering Column	Tilt/Telescopic Adjustable with Lock

Brakes

Type	Full Air, Dual Circuit, FUSO Taper Roller, ABS, Automatic Brake Adjustment
Size Front	370x150mm
Size Rear	370x150mm
Features	Exhaust Brake Brake Priority System
Park Brake	Rear Wheel Spring Actuated
Air Dryer Model	DU3

FUSO

FIGHTER SPECIFICATIONS

MODEL

4x2 1124 LWB Allison 5 Sp. Auto - FK62FLY5RFAL

WHEEL BASE

5210mm

GVM

11,000kg

GCM

11,000kg

Wheels & Tyres

Wheel Type	7 x Single Piece Steel Disc Including Spare
Wheel Size	19.5x6.75DC-147-12t
Wheel Stud Pattern	8x275mm PCD
Tyre Size All	245/70R19.5 136/134
Spare Tyre Carrier	Provided

Chassis

Type	Parallel Channel
Size	228x80x7.0mm
Width	842mm
Tensile Strength	540 MPa

Instruments

Gauges	Speedometer Tachometer Fuel Level Air Pressure AdBlue Level
Colour Information Display	Odometer Tripmeter (x2) Hour Meter (x2) Outside Temperature AdBlue Level DPF Information Driving Range (Fuel and AdBlue) Current Vehicle Speed Cruise Control Lane Departure Warning Active Attention Assist Warning Alarm Clock Level Control Service Indicator & Reminder System Air Pressure Coolant Temperature Engine Oil Level & Running Time

Multi-Media Package

Satellite Navigation	Maps with heavy vehicle weight, length, height & hazardous material selectable restrictions with 3 years of Map updates
Colour Display	6.2 inch LCD with touch screen control
Phone Connectivity	Bluetooth® hands free
Audio Visual Entertainment	Bluetooth® music streaming compatible Digital radio DAB+ (also AM/FM for areas not covered by DAB+) USB & 3.5mm/AUX port
Reversing Camera Compatible	Display can accept up to 5 cameras#
Optional Accessories (available at additional cost)	Rear Mounted Parking Sensor Kit High or Low Tyre Pressure Monitoring System
Notes	# Cameras available through spare parts

Standard Features

Cruise Control	Yes
Hill Start System	No
Cab Cooling & Heating	Air Conditioner / Heater / Demister
Accessory Power	24V Accessory Power Outlet / Cigar Lighter
Driving	Suspended Driver's Seat Central Locking Electric Windows LH Transom Window Opening Rear Quarter Glass Cup Holder Fluorescent Cabin Lamp
Storage	Centre Seat Storage Console Rear Bunk Storage Pocket Dash Storage Tray 2 DIN Glove Compartment 1 Single & 1 Double DIN Slot for Accessories Overhead Storage Pocket with Lid RH Door Storage Pocket

Cab Features

Type	All Steel Forward Control Manual Tilt 44 deg.
Mounting	Hydroelastic Susp. 4 Point
Colour	Natural White
Interior	Fully Trimmed
Windscreen Wipers	Automatic 2 Speed + Intermittent Cycle with Integrated Washer Nozzles
Rear Vision Mirrors	Remote / Heated with Convex Spotter (Both Sides)
Seating Capacity	3
Seat Belts	2 ELR Lap Sash, 1 Lap Driver pre-tensioner
Seat (driver)	ISRI Suspended with Weight Adjustment, LH Arm Rest and Lumbar Support
Seats (passenger)	Centre: Low Back with Fabric Trim Forward Folding Far Passenger: Fixed Base with Reclining Seat Back, Integral Headrest and Fabric Trim

Active Safety

Safety Systems	AMB plus - Active Mitigation Brake ESP - Electronic Stability Program AAA - Active Attention Assist ASA - Active Sideguard Assist LDWS - Lane Departure Warning System ABS - Anti-lock Braking System DRL - Daytime Running Lamps
Reverse Warning	Wide Dynamic Range Camera and Buzzer
Notes	Active Safety Systems primary function is to provide driver assistance to increase road safety in events of driver inattentiveness. These systems do not allow for lack of attention whilst driving and should not replace safe and alert driving.

Passive Safety

Airbags	SRS Airbag - Driver
Seat Belts	Driver Seat Belt Pre-tensioner

Service Intervals

Interval*	20,000km or 12 Months whichever occurs first
Notes	* based on normal operating conditions and may be reduced when operating under severe conditions.

Warranty

Basic/Powertrain	5 Years or 300,000kms (whichever occurs first)
------------------	--

Performance

Turning Circle (kerb to kerb - metres)	18.2
Gradeability at Rated GVM (theoretical)*	39%
Notes	*This is theoretical performance only. Actual performance may vary under different conditions

Mass estimated*

Front*	2365kg
Rear*	1540kg
Total*	3905kg
Notes	* Mass (est.) includes oil and water but excludes spare wheel, tools & fuel. Weights provided are subject to 3.5% variation (+/-)

FIGHTER SPECIFICATIONS

MODEL

4x2 1124 LWB Allison 5 Sp. Auto - FK62FLY5RFAL

WHEEL BASE

5210mm

GVM

11,000kg

GCM

11,000kg

Dimensions mm

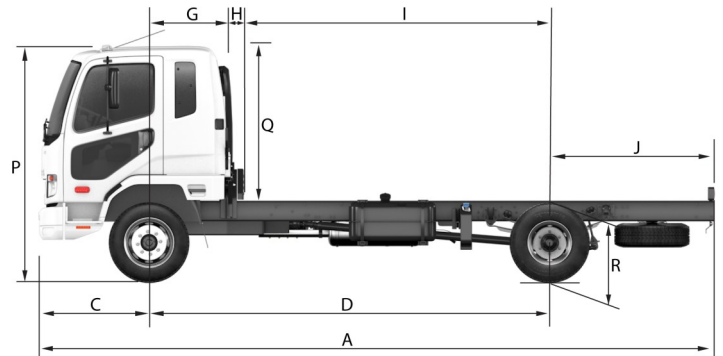
WFF (Width Front Fender) (mm)	2170
WRA (Width Rear Axle) (mm)	2255
WFT (Width Front Track) (mm)	1780
WRT (Width Rear Track) (mm)	1710
Width Frame (mm)	842
A - Length Overall (mm)	8645
C - Front Overhang (mm)	1135
D - Wheelbase (mm)	5210
G - Front Axle to Rear of Cab (mm)	855
H - Rear of Cab to Rearmost Item Behind Cab (mm)	75
I - Rearmost Item Behind Cab to Rear Axle (mm)	4280
J - Frame, Rear Axle to End (mm)	2300
N - Height Overall (mm)	2480
R - Height Rear Frame to Ground (mm)	917

Body Builder's Notes

Notes

Chassis reinforcement must be utilised for Tipper/Demountable type body configurations. To conform with ADR 13/00 and 14/02 (lighting/mirror requirements) the following must be adhered to at body installation.

- If other than a flat type or tipper body is fitted, rear end out-line marker lamps must be installed.
- If overall length exceeds 6.0 metres, side reflectors must be installed.
- If overall length exceeds 7.5 metres, side marker lamps must be installed.
- If overall width is less than 2.4 metres, the mirrors must be modified to project not more than 230mm. To conform with ADR 42/04 (General Safety), rear wheel guards must be fitted to the vehicle.



Call 1800 033 557

or visit fuso.com.au

Unless specified in writing herein the accessories, applications, bodies or equipment depicted in this are for illustration purposes only and may not be available from Daimler Truck Australia Pacific Pty Ltd. ABN 86 618 413 282 DTAuP. No representation or warranty whatsoever is given in relation to any accessories, applications, bodies or equipment or suitability of same that are shown herein that may be manufactured, supplied or fitted by a party other than DTAuP. DTAuP reserves the right without notice or obligation to discontinue or make changes to the colour, designs, materials and specifications of the products and options referred to herein at any time. For the most current information and in order to ascertain which accessories, applications, bodies and equipment are available from DTAuP please contact your authorised FUSO dealer. Fuso is a registered trademark of Daimler Truck Australia Pacific Pty Ltd. Copyright DTAuP. Reproduction in whole or part prohibited without written approval. Part Number TSF52A. Valid from 17-May-21.