

SHOGUN

FUSO

Shogun FS76 8x4 360

7.7L/AMT/ Air Susp./ LWB - XXLWB



OUR SAFEST SHOGUN YET. THIS LATEST SHOGUN COMES EQUIPPED WITH ABA5, PD, LDWS, ESP, AAA, ASGA, IHC AND DRL. ALL BACKED BY OUR CLASS LEADING SERVICE INTERVALS AND 5 YEAR WARRANTY.

GVM

30,000 KG

GCM

45,000 KG

POWER/TORQUE

260_{KW} / 1400_{NM}

- Heavy rigid licence required
- Actual vehicle may differ from above image

FUSO

SHOGUN SPECIFICATIONS

MODEL

A	8x4 FS76 360Hp Air Susp. LWB 12 Sp. AMT FS76GS1VFAA
B	8x4 FS76 360Hp Air Susp. XXLWB 12 Sp. AMT FS76GV1VFAA

WHEEL BASE

5870mm
6720mm

GVM

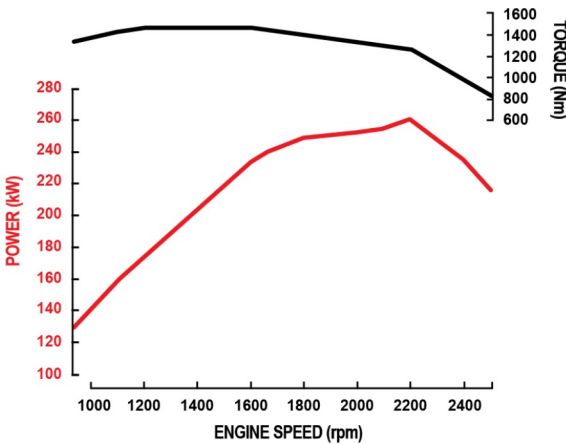
30,000kg
30,000kg

GCM

45,000kg
45,000kg

Engine

Engine Version	FUSO 6S10-T1 Diesel
Configuration	6 Cyl. In-line OHC, 4-Valve
Injection System	Common Rail Direct Injection with Pressure Booster
Type	Twin Turbocharger
Displacement	7.7 litre (7697cc)
Bore	110mm
Stroke	135mm
Power (DIN)	260kW @ 2200 rpm
Torque (DIN)	1400 Nm @ 1200-1600 rpm
Maximum Engine Speed	2500 rpm
Air Cleaner	Paper Element Type with Restrictor Indicator. Vertical Intake Mounted on Clean Air Side (RH)
Emission Control	Diesel Particulate Filter (DPF) plus SCR After-Treatment System
Emission Level	ADR 80/03 - post-Post New Long Term pPNLT Euro VI equivalent



Fuel

Tank Type	Rectangular Aluminium Tank with Locking Cap
Fuel Capacity *	400 Litres
Filtration	Filter with Water Separator and Dash Indicator
AdBlue Exhaust Fluid	60 Litres, Tank fitted with locking AdBlue cap
Capacity	
Notes	*Max Fill to approx 95% of capacity

Cooling

Fan Drive	Electronically controlled (Viscous)
Radiator	Corrugated Fin with Expansion Tank

Electrical

Voltage	24V Negative Ground
Battery Capacity	2x12V, 120Ah / 20 hr
Battery Specification	115F51 x2
Headlamp Type	Automatic Type Low Beam: LED High Beam: Halogen
Fog Light	Halogen
Daytime Running Lamps	LED

Clutch

Clutch Model	FUSO K4/430
Type	Single Dry Plate
Operation/Specification	Automated Manual (no clutch pedal)

Transmission

Version	FUSO Automated Manual G211-12
Type/Speeds	12 Speed Automated Manual with Auto, Economy and Manual Modes
Ratios	1st: 14.929 2nd: 11.672 3rd: 9.024 4th: 7.055 5th: 5.627 6th: 4.400 7th: 3.393 8th: 2.652 9th: 2.050 10th: 1.603 11th: 1.278 12th: 1.000 RevHigh: 11.672 RevLow: 14.929
PTO Opening	Side PTO

Propeller Shaft

Type	Two Main Shafts GW5E2200 Inter-axle Shaft P12
------	--

Front Axle

Axle Version	FUSO F900T
Type	Reverse Elliot 'I' Beam
Capacity *	14200kg total
Notes	*See MAX LOADING for vehicle capacity.

Front Suspension

Type	Long Taper Leaf with Double Acting Shock Absorbers Load Share Front Suspension
Size	1500x90mm Leaves

Rear Axle

Type	Full Floating Hypoid Type Tandem Drive with differential cross locks between front & rear tandem axles Optional-Limited Slip Differential LSD on both axles.	
Axle Version	FUSO R10TT/R10T	
Capacity*	21600kg	
Ratio	A - Standard 3.818 - Optional 4.222	B 3.818:1
Notes	*See MAX LOADING for vehicle capacity.	

Rear Suspension

Type	Two Bag Air Suspension
Details	Trailing Arm with Double Acting Shock Absorber and ECAS with 2 Memory Positions
Road Friendly Certification Number	RF2011

Max Loading

Front	13000kg
Rear	21600kg
Total	30000kg

SHOGUN SPECIFICATIONS

MODEL

A	8x4 FS76 360Hp Air Susp. LWB 12 Sp. AMT FS76GS1VFAA
B	8x4 FS76 360Hp Air Susp. XXLWB 12 Sp. AMT FS76GV1VFAA

WHEEL BASE

5870mm
6720mm

GVM

30,000kg
30,000kg

GCM

45,000kg
45,000kg

Options

Options	A	B
	Q35:	Q35 - No LSD
	- rear axle ratio 3.818	Q36 - LSD
	- no LSD	
	Q36	
	- rear axle ratio 3.818	
	- LSD	
	Q37	
	- rear axle ratio 4.222	
	- no LSD	
	Q38	
	- rear axle ratio 4.222	
	- LSD	

Steering

Type	Integral Ball and Nut
Steering Column	Tilt/Telescopic Adjustable
Power Assist	8x4 Power Assist Cylinder
Wheel cut angle - Inner/Outer	1st axle 45°/37° 2nd axle 28°/23°

Brakes

Type	Full Air, Dual Circuit with FUSO Taper Rollers
Size Front	410x150mm
Size Rear	410x200mm
Features	Brake Priority System
Park Brake	Rear Wheel Spring Actuated
Engine	Engine Brake 3 Levels of Retardation
Trailer	Hand Control Valve, Air Lines Coupling and Electrical Cable

Wheels & Tyres

Wheel Type	Single Piece Aluminium Disc Including Spare
Wheel Size	22.5x8.25
Wheel Stud Pattern	10x335mm PCD
Tyre Brand	Bridgestone
Tyre Size Front	295/80R22.5 152/148
Tyre Size Rear	11R22.5 148/145
Tyre Size Spare	295/80R22.5 152/148
Spare Tyre Carrier	Provided
Spare Tyre	Provided

Chassis

Type	Reinforced Parallel Channel
Size	300x90x7.0 mm
Width	840 mm
Tensile Strength	540 MPa

Instruments

Gauges	Speedometer Tachometer Fuel Level Air Pressure AdBlue Level
Colour Information Display	Odometer Tripmeter (x2) Hour Meter (x2) Outside Temperature AdBlue Level DPF Information Driving Range (Fuel and AdBlue) Current Vehicle Speed Cruise Control Lane Departure Warning Active Attention Assist Warning Alarm Clock Service Indicator & Reminder System Air Pressure Coolant Temperature Engine Oil Level & Running Time
Warning Lamps	ABS ASR ESP ESP Off Turn Signal Headlamps High Beam Hill Holder Auxiliary Brake Parking Brake Engine Over-speed Air Pressure Low Cab Tilt Lock DPF Regeneration DPF Status AdBlue Empty AdBlue Contamination Active Brake Assist
Warning Lamp/Buzzer	Air Pressure Cab Tilt Engine Over-speed AdBlue Empty AdBlue Contamination

Multi-Media Package

Satellite Navigation	Maps with heavy vehicle weight, length, height & hazardous material selectable restrictions with 3 years of Map updates
Colour Display	7 inch LCD with touch screen control
Phone Connectivity	Bluetooth® hands free
Audio Visual Entertainment	Bluetooth® music streaming compatible Digital radio DAB+ (also AM/FM for areas not covered by DAB+) USB & 3.5mm/AUX port
Reversing Camera Compatible	Display can accept up to 5 cameras#
Optional Accessories (available at additional cost)	Rear Mounted Parking Sensor Kit High or Low Tyre Pressure Monitoring System
Notes	# Cameras available through spare parts

SHOGUN SPECIFICATIONS

MODEL

A	8x4 FS76 360Hp Air Susp. LWB 12 Sp. AMT FS76GS1VFAA
B	8x4 FS76 360Hp Air Susp. XLWB 12 Sp. AMT FS76GV1VFAA

WHEEL BASE

5870mm
6720mm

GVM

30,000kg
30,000kg

GCM

45,000kg
45,000kg

Standard Features

Cruise Control	Adaptive with Stop and Go
Hill Start System	Yes
Cab Cooling & Heating	Climate Control
Accessory Power	24V Accessory Power Outlet (x2) plus Cigar Lighter
Driving	Suspended Driver's Seat Central Locking Electric Windows LH Transom Window Opening Rear Quarter Glass Cup Holder Fluorescent Cabin Lamp
Storage	Centre Storage Compartments (x3 Total, Lockable x1) Driver's Overhead Storage Door Storage Pockets Coat Hooks
Cab: External	Fog Lights Door Side Impact Beams Roof Mounting Points max. static load 70kg Front End-Outline Marker Lamps External PTO controls
Chassis	Integrated Front Underrun System (FUPS) Reverse Warning Buzzer Clear Top of Chassis Rail for ease of Body Fitment

Cab Features

Type	All Steel Forward Control Elec / Hyd Tilt Cab
Cab Structure	ECE-R29 Standard
Mounting	Air Suspended Front and Rear
Colour	Natural White
Windscreens Wipers	Automatic 2 Speed + Intermittent Cycle with Integrated Washer Nozzles
Rear Vision Mirrors	2 x External Flat Main Mirrors Plus Convex Spotters Motorised Main Mirrors, All Mirrors Heated
Seating Capacity	3
Seat Belts	2 ELR Lap Sash, 1 Lap Driver pre-tensioner
Seat (driver)	Air Suspension with Height, Tilt and Dampening Adjustment Integral Headrest and Fabric Trim
Seats (passenger)	Single Fixed
Sleeping	ADR42/04 Approved Sleeping Berth

Active Safety

Safety Systems	ABA5 - Active Brake Assist 5 ASGA - Active Sideguard Assist PD - Pedestrian Detection AAA - Active Attention Assist PCA - Proximity Control Assist Cruise Control LDWS - Lane Departure Warning System ESP - Electronic Stability Program ABS - Anti-lock Braking System ASR - Anti Slip Regulator LED Headlamps DRL - Daytime Running Lamps IHC - Intelligent Headlight Control
Reverse Warning	Wide Dynamic Range Camera and Buzzer
Notes	Active Safety Systems primary function is to provide driver assistance to increase road safety in events of driver inattentiveness. These systems do not allow for lack of attention whilst driving and should not replace safe and alert driving.

Passive Safety

Airbags	SRS Airbag - Driver
Body Strength	ECE-R29 Cab Strength Compliant
Seat Belts - Driver & Driver Assistant	3 Point ELR Lap Sash, Driver Pre-Tensioner.

Service Intervals

Interval*	50,000km or 12 Months (whichever occurs first)
-----------	--

Warranty

Basic/Powertrain	5 Years or 500,000kms (whichever occurs first)
Notes	* based on normal operating conditions and may be reduced when operating under severe conditions.

Performance

Turning Circle (kerb to kerb - metres)	21.6
Electronically Speed Limited to:	100km/hr Conforms to ADR65/00
Engine Speed (rpm) at 100km/hr (top gear)	A 2080 rpm with RAR 3.818 B 2080 rpm with RAR 4.222
Gradeability at Rated GVM (theoretical)*	A 34% with RAR 3.818 B 34% with RAR 4.222
Gradeability at Rated GCM (theoretical)*	A 21.5% with RAR 3.818 B 21.5% with RAR 4.222
Notes	*This is theoretical performance only. Actual performance may vary under different conditions

Mass estimated*

Front*	A 5420kg B 5480kg
Rear*	A 3110kg B 3210kg
Total*	A 8530kg B 8690kg
Notes	* Mass (est.) includes oil and water but excludes spare wheel, tools & fuel. Weights provided are subject to 3.5% variation (+/-)

Dimensions mm

WFF (Width Front Fender) (mm)	2490
WRA (Width Rear Axle) (mm)	2475
WFT (Width Front Track) (mm)	2075
WRT (Width Rear Track) (mm)	1865
Width Frame (mm)	840
A - Length Overall (mm)	A 10140 B 11660
B - Extreme Axle Spacing (mm)	A 6530 B 7380
C - Front Overhang (mm)	1370
D - Wheelbase (mm)	A 5870 B 6720
F - Rear Axle Spacing (mm)	1320
G - Front Axle to Rear of Cab (mm)	795
H - Rear of Cab to Rearmost Item Behind Cab (mm)	83
I - Rearmost Item Behind Cab to Rear Axle (mm)	A 4992 B 6502
J - Frame, Rear Axle to End (mm)	A 2240 B 2910
N - Height Overall (mm)	A 3164 B 3165
O - Air Intake to Cab Roof (mm)	205
P - Height Cab to Ground (mm)	A 2959 B 2960
Q - Height Cab to Frame (mm)	1970
R - Height Rear Frame to Ground (mm)	A 1034 B 1033

FUSO

SHOGUN SPECIFICATIONS

MODEL	WHEEL BASE	GVM	GCM
A 8x4 FS76 360Hp Air Susp. LWB 12 Sp. AMT FS76GS1VFAA	5870mm	30,000kg	45,000kg
B 8x4 FS76 360Hp Air Susp. XXLWB 12 Sp. AMT FS76GV1VFAA	6720mm	30,000kg	45,000kg

Body Builder's Notes

Notes

Chassis reinforcement must be utilised for Tipper/Demountable type body configurations. To conform with ADR 13/00 (lighting requirements) the following must be adhered to at body installation.

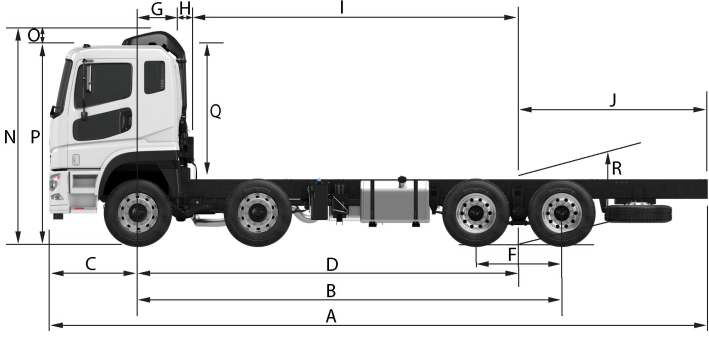
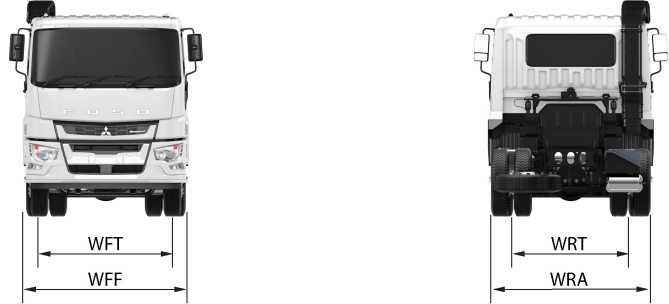
- If other than a flat type or tipper body is fitted, rear end out-line marker lamps must be installed.
- If overall length exceeds 6.0 metres, side reflectors must be installed.
- If overall length exceeds 7.5 metres, side marker lamps must be installed.

To conform with ADR 42/04 (General Safety), rear wheel guards must be fitted to the vehicle.



Call 1800 033 557

or visit fuso.com.au



Unless specified in writing herein the accessories, applications, bodies or equipment depicted in this are for illustration purposes only and may not be available from Daimler Truck Australia Pacific Pty Ltd. ABN 86 618 413 282 DTAuP. No representation or warranty whatsoever is given in relation to any accessories, applications, bodies or equipment or suitability of same that are shown herein that may be manufactured, supplied or fitted by a party other than DTAuP. DTAuP reserves the right without notice or obligation to discontinue or make changes to the colour, designs, materials and specifications of the products and options referred to herein at any time. For the most current information and in order to ascertain which accessories, applications, bodies and equipment are available from DTAuP please contact your authorised FUSO dealer. Fuso is a registered trademark of Daimler Truck Australia Pacific Pty Ltd. Copyright DTAuP. Reproduction in whole or part prohibited without written approval. Valid from 24-Apr-23.