

FIGHTER

FUSO

Fighter 1424.

4x2 / 6-SP MANUAL / STEEL SUSP.



CLASS LEADING 30,000KM SERVICE INTERVALS.

GVM

14,000_{KG}

GCM

20,000_{KG}

Power/Torque

177_{KW} / 745_{NM}

- Medium rigid licence required.

FIGHTER SPECIFICATIONS

MODEL

4x2 1424 Steel Susp. LWB 6 Sp. MAN (FK62FLZ1RFAH)

WHEEL BASE

5210mm

GVM

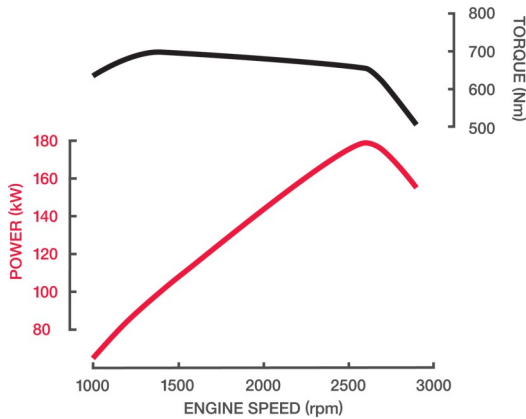
14,000kg

GCM

20,000kg

Engine

| | |
|-----------------------------|--|
| Engine Version | FUSO 6M60-9AT1 Diesel |
| Configuration | 6 Cyl. In-line OHC, 4-Valve |
| Type | Variable Geometry Turbo Charged Air to Air Intercooler |
| Displacement | 7.5 litre (7545cc) |
| Bore | 118mm |
| Stroke | 115mm |
| Power (ECE R85-00) | 177kW @ 2500 rpm |
| Torque (ECE R85-00) | 745Nm @ 1400 rpm |
| Maximum Engine Speed | 2900 rpm |
| Compression Ratio | 16.0:1 |
| Cooling System / Oil Cooler | Water cooled, 23.0L capacity/ Plate type engine oil cooler |
| Air Cleaner | Paper Element Type with Restrictor Indicator. Vertical Intake Mounted on Clean Air Side (RH) |
| Emission Control | Selective Catalytic Reduction (SCR) after-treatment system (BlueTec), Positive Crankcase Ventilation (PCV) |
| Emission Level | ADR 80/03 - Euro 5 |



Fuel

| | |
|-------------------------------|---|
| Injection System | DENSO Common Rail System Electronically Controlled Direct Injection |
| Tank Type | Rectangular Steel Tank with Locking Cap |
| Fuel Capacity * | 200 Litres |
| AdBlue Exhaust Fluid Capacity | 22 Litres |
| Speed Limiter | Speed Limited 100km/h |
| Notes | *Max Fill to approx 95% of Air Capacity |

Cooling

| | |
|-----------|---|
| Fan Drive | Thermo modulated continuous control (Viscous) |
| Radiator | Corrugated Fin with Expansion Tank |

Electrical

| | |
|-------------------|-----------------------------------|
| Voltage | 24V Negative Earth |
| Battery Capacity | 2x12V, 100Ah/20hr |
| Headlamp Type | Halogen |
| Headlamp Capacity | Low Beam 2x70W High Beam 2x75W |

Clutch

| | |
|-------------------------|------------------------|
| Clutch Model | FUSO C7M38 |
| Type | Single Dry Plate |
| Operation/Specification | Air Assisted Hydraulic |

Transmission

| | |
|-------------|--|
| Version | FUSO Manual M070S6-OD |
| Type/Speeds | 6 with Air Assisted Gearshift |
| Features | Synchromesh 2nd-6th |
| Ratios | 1st: 6.807 2nd: 4.172 3rd: 2.396 4th: 1.504 5th: 1.000 6th: 0.774 Rev. 6.807 |
| PTO Opening | LH Side |

Propeller Shaft

| | |
|-----------------|---------------|
| Type | P10 |
| Universal Joint | Needle Roller |

Front Axle

| | |
|--------------|--|
| Axle Version | FUSO F500T |
| Type | Reverse Elliot 'I' Beam |
| Capacity * | 5000kg |
| Notes | *See MAX LOADING for vehicle capacity. |

Front Suspension

| | |
|------|--|
| Type | Parabolic Leaf with Stabiliser Bar and Double Acting Shock Absorbers |
| Size | 1300x70mm Leaves |

Rear Axle

| | |
|--------------|--|
| Type | Full Floating Hypoid |
| Axle Version | FUSO R052T/D052H |
| Capacity* | 9500kg |
| Ratio | 4.875:1 |
| Notes | *See MAX LOADING for vehicle capacity. |

Rear Suspension

| | |
|--------------------|--|
| Type | Steel Suspension |
| Details | Semi-Elliptic Leaf with Stabiliser Bar |
| Size Main Leaves | 1300x70mm |
| Size Helper Leaves | 900x70mm |

Max Loading

| | |
|-------|---------|
| Front | 5000kg |
| Rear | 9200kg |
| Total | 14000kg |

Options

| | |
|---------|--------------------------------------|
| Options | R05: Limited Slip Differential (LSD) |
|---------|--------------------------------------|

Steering

| | |
|-----------------|--------------------------------------|
| Type | Integral Power Assisted Ball and Nut |
| Steering Column | Tilt/Telescopic Adjustable with Lock |
| Ratio | 18.0~19.8:1 |

Brakes

| | |
|-----------------|---|
| Type | Full Air, Dual Circuit, FUSO Taper Roller, Automatic Brake adjustment, ABS with ASR (Anti Slip Regulator) |
| Size Front | 370x150mm |
| Size Rear | 370x150mm |
| Park Brake | Rear Wheel Spring Actuated |
| Auxiliary | Exhaust Brake |
| Compressor | Water Cooled, 340cc Single Cyl. |
| Air Dryer Model | DU5 |

FUSO

FIGHTER SPECIFICATIONS

MODEL

4x2 1424 Steel Susp. LWB 6 Sp. MAN (FK62FLZ1RFAH)

WHEEL BASE

5210mm

GVM

14,000kg

GCM

20,000kg

Wheels & Tyres

| | |
|--------------------|----------------------|
| Wheel Type | 7, Single Piece Disc |
| Wheel Size | 19.5x6.75DC-147-13t |
| Wheel Stud Pattern | 8x275mm PCD |
| Tyre Size All | 265/70R19.5 140/138M |
| Spare Tyre Carrier | Provided |

Chassis

| | |
|------------------|------------------|
| Type | Parallel Channel |
| Size | 230x80x8.0mm |
| Width | 844mm |
| Tensile Strength | 540Mpa |

Instruments

| | |
|----------------------------|---|
| Gauges | Speedometer with Odometer Tachometer Air Pressure (2) Fuel Level Water Temperature |
| Colour Information Display | Fuel Consumption Service Indicators Hour Meter and Tripmeter |
| Warning Lamps | ABS Turn Signal High Beam Exhaust Brake Oil Level Ad Blue Low Fuel Low Park Brake Alternator Oil Filter Blockage Engine Control / Cruise Control (ECU) Air Filter Restriction Fuel Filter Water Contamination Door Opening |
| Warning Lamp/Buzzer | Air Pressure Oil Pressure Engine Overheat / Low Coolant Level |

Multi-Media Package

| | |
|---|--|
| Satellite Navigation | Maps with heavy vehicle weight, length, height & hazardous material selectable restrictions with 3 years of Map updates |
| Colour Display | 6.2 inch LCD with touch screen control |
| Phone Connectivity | Bluetooth® hands free |
| Audio Visual Entertainment | Bluetooth® music streaming compatible Digital radio DAB+ (also AM/FM for areas not covered by DAB+) USB & 3.5mm/AUX port |
| Reversing Camera Compatible | Display can accept up to 5 cameras# |
| Optional Accessories (available at additional cost) | Rear Mounted Parking Sensor Kit High or Low Tyre Pressure Monitoring System |
| Notes | # Cameras available through spare parts |

Standard Features

| | |
|-----------------------|---|
| Airbag(s) | Driver's Air Bag and Seat Belt Pre-tensioners |
| Hill Start System | Yes |
| Cab Cooling & Heating | Air Conditioner / Heater / Demister |
| Accessory Power | 24V Accessory Power Outlet / Cigar Lighter |
| Driving | ASR (Traction Control) Keyless Central Locking Electric Windows Cruise Control LH Transom Window Fuso Multimedia Unit Cup Holders (4) Rear Quarter Glass Fluorescent Cabin Lamp and Interior Reading Lamps Engine Idle Speed Control |
| Storage | Centre Seat Storage Console Rear Bunk Storage Pocket Dash Storage Tray 2 DIN Glove Compartment 1 Single & 1 Double DIN Slot for Accessories Overhead Storage Pocket with Lid RH Door Storage Pocket |
| Cab: External | Roof Mounting Points (max. static load 70kg) Front End-Outline Marker Lamps |
| Chassis | Chassis Mounted Tool Box Reverse Warning Buzzer Integrated Front Underrun Protection System (FUPS) |

Cab Features

| | |
|---------------------|---|
| Type | All Steel Forward Control Manual Tilt 44 deg. |
| Mounting | Hydroelastic Susp. 4 Point |
| Colour | Natural White |
| Interior | Fully Trimmed |
| Windscreen | Laminated Tinted |
| Windscreen Wipers | 2 Speed + Intermittent Cycle with Integrated Washer Nozzles |
| Door | 90 degree Opening Angle |
| Rear Vision Mirrors | Remote / Heated with Convex Spotter (Both Sides) |
| Seating Capacity | 3 |
| Seat Belts | 2 ELR Lap Sash, 1 Lap Driver pre-tensioner |
| Seat (driver) | ISRI Air Suspension with Height, Tilt and Dampening Adjustment Integral Headrest and Fabric Trim |
| Seats (passenger) | Centre: Low Back with Fabric Trim Forward Folding Far Passenger: Fixed Base with Reclining Seat Back, Integral Headrest and Fabric Trim |

Service Intervals

| | |
|-----------|---|
| Interval* | 30,000km or 12 Months (whichever occurs first) |
| Notes | * based on normal operating conditions and may be reduced when operating under severe conditions. |

Warranty

| | |
|--------------------------------|--|
| Basic/Powertrain | 5 Years or 300,000kms (whichever occurs first) |
| Cab Perforation/Anti Corrosion | 5 Years |

Performance

| | |
|---|---|
| Turning Circle (kerb to kerb - metres) | 18.2 |
| Electronically Speed Limited to: | 100km/hr Conforms to ADR65/.. |
| Engine Speed (rpm) at 100km/hr (top gear) | 2371 |
| Gradeability at Rated GVM (theoretical)* | 41% |
| Gradeability at Rated GCM (theoretical)* | 25% |
| Notes | *This is theoretical performance only. Actual performance may vary under different conditions |

FUSO

FIGHTER SPECIFICATIONS

MODEL

4x2 1424 Steel Susp. LWB 6 Sp. MAN (FK62FLZ1RFAH)

WHEEL BASE

5210mm

GVM

14,000kg

GCM

20,000kg

Mass estimated*

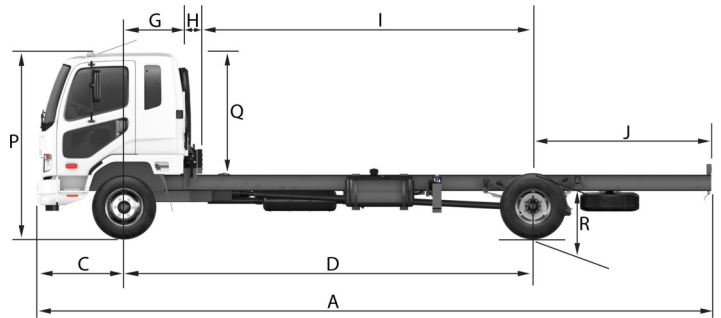
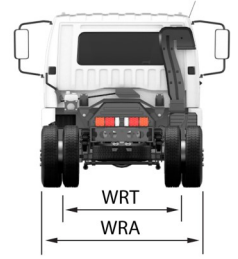
| | |
|--------|---|
| Front* | 2500kg |
| Rear* | 1510kg |
| Total* | 4010kg |
| Notes | * Mass (est.) includes oil and water but excludes spare wheel, tools & fuel. Weights provided are subject to 3.5% variation (+/-) |

Dimensions mm

| | |
|--|------|
| WFF (Width Front Fender) (mm) | 2170 |
| WRA (Width Rear Axle) (mm) | 2270 |
| WFT (Width Front Track) (mm) | 1780 |
| WRT (Width Rear Track) (mm) | 1710 |
| Width Frame (mm) | 844 |
| A - Length Overall (mm) | 8645 |
| C - Front Overhang (mm) | 1135 |
| D - Wheelbase (mm) | 5210 |
| G - Front Axle to Rear of Cab (mm) | 855 |
| H - Rear of Cab to Rearmost Item Behind Cab (mm) | 130 |
| I - Rearmost Item Behind Cab to Rear Axle (mm) | 4225 |
| J - Frame, Rear Axle to End (mm) | 2300 |
| P - Height Cab to Ground (mm) | 2527 |
| Q - Height Cab to Frame (mm) | 1669 |
| R - Height Rear Frame to Ground (mm) | 931 |

Body Builder's Notes

| | |
|-------|---|
| Notes | <p>Chassis reinforcement must be utilised for Tipper/Demountable type body configurations. To conform with ADR 13/00 and 14/02 (lighting/mirror requirements) the following must be adhered to at body installation.</p> <ul style="list-style-type: none"> - If other than a flat type or tipper body is fitted, rear end out-line marker lamps must be installed. - If overall length exceeds 6.0 metres, side reflectors must be installed. - If overall length exceeds 7.5 metres, side marker lamps must be installed. - If overall width is less than 2.4 metres, the mirrors must be modified to project not more than 230mm. To conform with ADR 42/04 (General Safety), rear wheel guards must be fitted to the vehicle. |
|-------|---|



Call 1800 033 557

or visit fuso.com.au

Unless specified in writing herein the accessories, applications, bodies or equipment depicted in this are for illustration purposes only and may not be available from Daimler Truck Australia Pacific Pty Ltd. ABN 86 618 413 282 DTAuP. No representation or warranty whatsoever is given in relation to any accessories, applications, bodies or equipment or suitability of same that are shown herein that may be manufactured, supplied or fitted by a party other than DTAuP. DTAuP reserves the right without notice or obligation to discontinue or make changes to the colour, designs, materials and specifications of the products and options referred to herein at any time. For the most current information and in order to ascertain which accessories, applications, bodies and equipment are available from DTAuP please contact your authorised FUSO dealer. Fuso is a registered trademark of Daimler Truck Australia Pacific Pty Ltd. Copyright DTAuP. Reproduction in whole or part prohibited without written approval. Part Number TSF35E-SSV3. Valid from 17-May-21.