

FIGHTER

FUSO

Fighter 2427.

6x2 - 6x4 / 6-SP AUTO / STEEL or AIR SUSP.



CLASS LEADING 30,000KM SERVICE INTERVALS

GVM

23,200_{KG} TO
24,000_{KG}

GCM

32,000_{KG}

Power/Torque

199_{KW} / 784_{NM}

- Heavy rigid licence required.

FIGHTER SPECIFICATIONS

MODEL

A	6x2 2427 Air Susp. XXLWB 6 Sp. AUTO (FN63FU2RFAM)
C	6x4 2427 Steel Susp. XLWB 6 Sp. AUTO (FN62FR2RFAM)
D	6x4 2427 Air Susp. XXLWB 6 Sp. AUTO (FN64FU2RFAM)

WHEEL BASE

6530mm
5650mm
6530mm

GVM

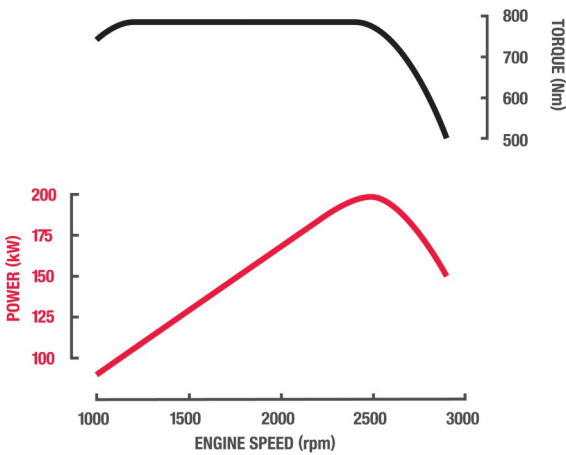
23,200kg
23,500kg
24,000kg

GCM

32,000kg
32,000kg
32,000kg

Engine

Engine Version	FUSO 6M60-9AT2 Diesel
Configuration	6 Cyl. In-line OHC, 4-Valve
Type	Variable Geometry Turbo Charged Air to Air Intercooler
Displacement	7.5 litre (7545cc)
Bore	118mm
Stroke	115mm
Power (ECE R85-00)	199kW @ 2500 rpm
Torque (ECE R85-00)	784Nm @ 1100-2400 rpm
Maximum Engine Speed	2900 rpm
Compression Ratio	16.0:1
Cooling System / Oil Cooler	Water cooled, 23.0L capacity/ Plate type engine oil cooler
Air Cleaner	Paper Element Type with Restrictor Indicator. Vertical Intake Mounted on Clean Air Side (RH)
Emission Control	Selective Catalytic Reduction (SCR) after-treatment system (BlueTec), Positive Crankcase Ventilation (PCV)
Emission Level	ADR 80/03 - Euro 5



Fuel

Injection System	DENSO Common Rail System Electronically Controlled Direct Injection	
Tank Type	A D Rectangular Alloy Tank with Locking Cap	C Rectangular Steel Tank with Locking Cap
Fuel Capacity *	A D 400 Litres	C 200 Litres
AdBlue Exhaust Fluid Capacity	40 Litres	
Speed Limiter	Speed Limited 100km/h	
Notes	*Max Fill to approx 95% of Air Capacity	

Cooling

Fan Drive	Thermo modulated continuous control (Viscous)
Radiator	Corrugated Fin with Expansion Tank

Electrical

Voltage	24V Negative Earth
Battery Capacity	2x12V, 100Ah/20hr
Headlamp Type	Halogen
Headlamp Capacity	Low Beam 2x70W High Beam 2x75W

Clutch

Transmission

Version	Allison Automatic MD3500
Type/Speeds	6 Speed
Features	Generation 5 Control Systems
Ratios	1st: 4.593 2nd: 2.257 3rd: 1.535 4th: 1.000 5th 0.749 6th 0.651 Rev. 4.999
Torque Converter/Stall Torque Ratio	TC415/2.35
PTO Opening	4 o'clock & 8 o'clock
Automatic Transmission Fluid Cooling	2 Chassis Mounted Coolers (LH & RH Side)

Propeller Shaft

Type	A P140	C D P140/P8
Universal Joint	Needle Roller	

Front Axle

Axle Version	FUSO F650T
Type	Reverse Elliot 'I' Beam
Capacity *	6300kg
Notes	*See MAX LOADING for vehicle capacity.

Front Suspension

Type	Parabolic Leaf with Double Acting Shock Absorbers
Size	1400x80mm Leaves

Rear Axle

Type	A Full Floating Hypoid Drive with Trailing Rear	C D Full Floating Hypoid, Tandem Drive with Inter-Axle Diff Lock
Axle Version	A FUSO R10T/10D, D10H	C D FUSO R10TT/10T, D10HT/10H
Capacity*	A 17200kg	C D 21600kg
Ratio	A D 5.857:1	C 6.166:1
Notes	*See MAX LOADING for vehicle capacity.	

Rear Suspension

Type	A D Air Suspension	C Mechanical Suspension
Details	A D Trailing Arm with Air Dump Control and Double Acting Shock Absorbers	C Long Taper Leaf, 6 Rod Trunion
Size Main Leaves	A D N/A	C 1320x90mm
Air Spring	A D 2x250mm dia. per Axle	C N/A
Trailing Arm	A D (643+390)x80x35mm-2 Leaves	C N/A
Road Friendly Certification Number	A D RF2011	C N/A
Capacity at Ground *	A D 18000kg total	C N/A

FUSO

FIGHTER SPECIFICATIONS

MODEL

A	6x2 2427 Air Susp. XXLWB 6 Sp. AUTO (FN63FU2RFAM)
C	6x4 2427 Steel Susp. XLWB 6 Sp. AUTO (FN62FR2RFAM)
D	6x4 2427 Air Susp. XXLWB 6 Sp. AUTO (FN64FU2RFAM)

WHEEL BASE

6530mm
5650mm
6530mm

GVM

23,200kg
23,500kg
24,000kg

GCM

32,000kg
32,000kg
32,000kg

Max Loading

Front	6000kg		
Rear	A 17200kg	C 21600kg	D 18000kg
Total	A 23200kg	C 23500kg	D 24000kg

Options

Options	R02: Limited Slip Differential (LSD) to Drive Axle
---------	--

Steering

Type	Integral Power Assisted Ball and Nut
Steering Column	Tilt/Telescopic Adjustable with Lock
Ratio	22.4:1

Brakes

Type	Full Air, Dual Circuit, FUSO Taper Roller, ABS, Automatic Brake Adjustment
Size Front	410x150mm
Size Rear	410x200mm
Park Brake	Rear Wheel Spring Actuated
Auxiliary	Exhaust Brake
Compressor	Water Cooled, 340cc Single Cyl.
Air Dryer Model	MD4

Wheels & Tyres

Wheel Type	11, Single Piece Disc		
Wheel Size	22.5x8.25DC-165-13t		
Wheel Stud Pattern	10x335mm PCD		
Tyre Size All	A D 275/70R22.5 148/145L	C 11R22.5 148/145L	Traction Tread to Rear
Spare Tyre Carrier	A D Provided	C No	

Chassis

Type	Reinforced Parallel Channel	
Size	280x90x8.0mm	
Width	A D 841mm	C 851mm (includes outer frame reinforcement)
Tensile Strength	540Mpa	

Instruments

Gauges	Speedometer with Odometer Tachometer Air Pressure (2) Fuel Level Water Temperature
Colour Information Display	Fuel Consumption Service Indicators Hour Meter and Tripmeter
Warning Lamps	ABS Turn Signal High Beam Exhaust Brake Oil Level Ad Blue Low Fuel Low Park Brake Alternator Oil Filter Blockage Differential Lock Engine Control / Cruise Control (ECU) Air Filter Restriction Fuel Filter Water Contamination Door Opening
Warning Lamp/Buzzer	Air Pressure Oil Pressure Engine Overheat / Low Coolant Level

Multi-Media Package

Satellite Navigation	Maps with heavy vehicle weight, length, height & hazardous material selectable restrictions with 3 years of Map updates
Colour Display	6.2 inch LCD with touch screen control
Phone Connectivity	Bluetooth® hands free
Audio Visual Entertainment	Bluetooth® music streaming compatible Digital radio DAB+ (also AM/FM for areas not covered by DAB+) USB & 3.5mm/AUX port
Reversing Camera Compatible	Display can accept up to 5 cameras#
Optional Accessories (available at additional cost)	Rear Mounted Parking Sensor Kit High or Low Tyre Pressure Monitoring System
Notes	# Cameras available through spare parts

Standard Features

Airbag(s)	Driver's Air Bag and Seat Belt Pre-tensioners
Hill Start System	No
Cab Cooling & Heating	Air Conditioner / Heater / Demister
Accessory Power	24V Accessory Power Outlet / Cigar Lighter
Driving	Keyless Central Locking Electric Windows Cruise Control LH Transom Window Fuso Multimedia Unit Cup Holders (4) Rear Quarter Glass Fluorescent Cabin Lamp and Interior Reading Lamps Engine Idle Speed Control
Storage	Centre Seat Storage Console Rear Bunk Storage Pocket Dash Storage Tray 2 DIN Glove Compartment 1 Single & 1 Double DIN Slot for Accessories Overhead Storage Pocket with Lid RH Door Storage Pocket
Cab: External	Roof Mounting Points (max. static load 70kg) Front End-Outline Marker Lamps
Chassis	Chassis Mounted Tool Box Reverse Warning Buzzer Integrated Front Underrun Protection System (FUPS)

FIGHTER SPECIFICATIONS

MODEL	WHEEL BASE	GVM	GCM
A 6x2 2427 Air Susp. XXLWB 6 Sp. AUTO (FN63FU2RFAM)	6530mm	23,200kg	32,000kg
C 6x4 2427 Steel Susp. XLWB 6 Sp. AUTO (FN62FR2RFAM)	5650mm	23,500kg	32,000kg
D 6x4 2427 Air Susp. XXLWB 6 Sp. AUTO (FN64FU2RFAM)	6530mm	24,000kg	32,000kg

Cab Features

Type	All Steel Forward Control Manual Tilt 44 deg.
Mounting	Hydroelastic Susp. 4 Point
Colour	Natural White
Interior	Fully Trimmed
Windscreen	Laminated Tinted
Windscreen Wipers	2 Speed + Intermittent Cycle with Integrated Washer Nozzles
Door	90 degree Opening Angle
Rear Vision Mirrors	Remote / Heated with Convex Spotter (Both Sides)
Seating Capacity	3
Seat Belts	2 ELR Lap Sash, 1 Lap Driver pre-tensioner
Seat (driver)	ISRI Air Suspension with Height, Tilt and Dampening Adjustment Integral Headrest and Fabric Trim
Seats (passenger)	Centre: Low Back with Fabric Trim Forward Folding Far Passenger: Fixed Base with Reclining Seat Back, Integral Headrest and Fabric Trim

Service Intervals

Interval*	30,000km or 12 Months (whichever occurs first)
Notes	* based on normal operating conditions and may be reduced when operating under severe conditions.

Warranty

Basic/Powertrain	5 Years or 350,000kms (whichever occurs first)
------------------	--

Performance

Turning Circle (kerb to kerb - metres)	A 22	C 19.4	D 21.8
Electronically Speed Limited to:	100km/hr Conforms to ADR65/..		
Engine Speed (rpm) at 100km/hr (top gear)	A D 2189	C 2104	
Gradeability at Rated GVM (theoretical)*	A 40%	C 36%	D 37%
Gradeability at Rated GCM (theoretical)*	A D 27%	C 26%	
Notes	*This is theoretical performance only. Actual performance may vary under different conditions		

Mass estimated*

Front*	A D 3235kg	C 3445kg	
Rear*	A 3250kg	C 3805kg	D 3570kg
Total*	A 6485kg	C 7250kg	D 6805kg
Notes	* Mass (est.) includes oil and water but excludes spare wheel, tools & fuel. Weights provided are subject to 3.5% variation (+/-)		

Dimensions mm

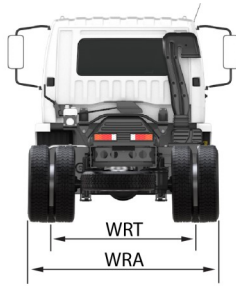
WFF (Width Front Fender) (mm)	2450	
WRA (Width Rear Axle) (mm)	2470	
WFT (Width Front Track) (mm)	1925	
WRT (Width Rear Track) (mm)	1850	
Width Frame (mm)	A D 841	C 851
A - Length Overall (mm)	A D 11030	C 9695
B - Extreme Axle Spacing (mm)	A D 7190	C 6310
C - Front Overhang (mm)	1245	
D - Wheelbase (mm)	A D 6530	C 5650
F - Rear Axle Spacing (mm)	1320	
G - Front Axle to Rear of Cab (mm)	745	
H - Rear of Cab to Rearmost Item Behind Cab (mm)	130	
I - Rearmost Item Behind Cab to Rear Axle (mm)	A D 5655	C 4810
J - Frame, Rear Axle to End (mm)	A D 2945	C 2140
P - Height Cab to Ground (mm)	A D 2630	C 2680
Q - Height Cab to Frame (mm)	A D 1669	C 1663
R - Height Rear Frame to Ground (mm)	A D Inflated: 967 Deflated: 913	C 1037

Body Builder's Notes

Notes	Chassis reinforcement must be utilised for Tipper/Demountable type body configurations. To conform with ADR 13/00 (lighting requirements) the following must be adhered to at body installation. - If other than a flat type or tipper body is fitted, rear end out-line marker lamps must be installed. - If overall length exceeds 6.0 metres, side reflectors must be installed. - If overall length exceeds 7.5 metres, side marker lamps must be installed. To conform with ADR 42/04 (General Safety), rear wheel guards must be fitted to the vehicle
-------	--

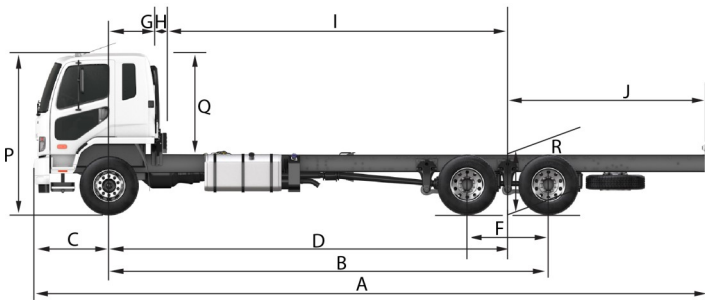
FIGHTER SPECIFICATIONS

MODEL	WHEEL BASE	GVM	GCM
A 6x2 2427 Air Susp. XXLWB 6 Sp. AUTO (FN63FU2RFAM)	6530mm	23,200kg	32,000kg
C 6x4 2427 Steel Susp. XLWB 6 Sp. AUTO (FN62FR2RFAM)	5650mm	23,500kg	32,000kg
D 6x4 2427 Air Susp. XXLWB 6 Sp. AUTO (FN64FU2RFAM)	6530mm	24,000kg	32,000kg



Call 1800 033 557

or visit fuso.com.au



Unless specified in writing herein the accessories, applications, bodies or equipment depicted in this are for illustration purposes only and may not be available from Daimler Truck Australia Pacific Pty Ltd. ABN 86 618 413 282 DTAuP. No representation or warranty whatsoever is given in relation to any accessories, applications, bodies or equipment or suitability of same that are shown herein that may be manufactured, supplied or fitted by a party other than DTAuP. DTAuP reserves the right without notice or obligation to discontinue or make changes to the colour, designs, materials and specifications of the products and options referred to herein at any time. For the most current information and in order to ascertain which accessories, applications, bodies and equipment are available from DTAuP please contact your authorised FUSO dealer. Fuso is a registered trademark of Daimler Truck Australia Pacific Pty Ltd. Copyright DTAuP. Reproduction in whole or part prohibited without written approval. Part Number TSF44G-SSV4. Valid from 17-May-21.