

# CANTER

FUSO

## CANTER 515

4x2/WIDE CAB/MANUAL OR DUONIC DCT



**OUR SAFEST CANTER EVER WITH AEB, LWDS AND ESP STANDARD  
CLASS LEADING TARE WEIGHT AND 30,000KM SERVICE INTERVALS**

GVM

4,495<sub>KG</sub>

GCM

7,995<sub>KG</sub>

Power/Torque

110<sub>KW</sub> / 370<sub>NM</sub>

- Can be driven on passenger car licence.

FUSO

# CANTER SPECIFICATIONS

## MODEL

A	4x2 515 Wide Cab SWB 6 Sp. Duonic AMT (FEB21CR3SFBC)
B	4x2 515 Wide Cab MWB 6 Sp. Duonic AMT (FEB21ER3SFBC)
C	4x2 515 Wide Cab SWB 5 Sp. Manual (FEB21CR4SFBC)
D	4x2 515 Wide Cab MWB 5 Sp. Manual (FEB21ER4SFBC)

## WHEEL BASE

2800mm
3400mm
2800mm
3400mm

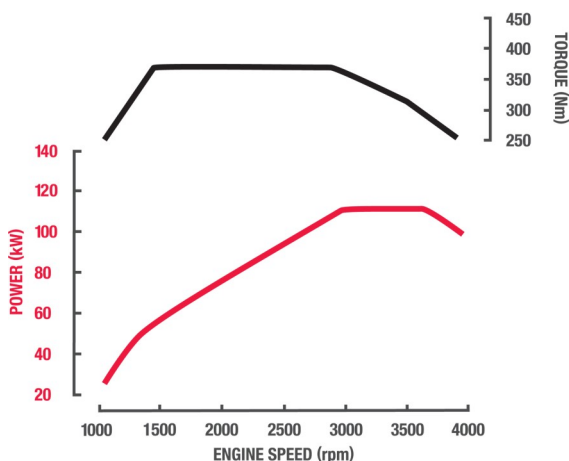
## GVM (optional)

4,495kg
4,495kg
4,495kg
4,495kg

## GCM (optional)

7,995kg
7,995kg
7,995kg
7,995kg

Engine	
Engine Version	FUSO 4P10-T4 Diesel
Configuration	4 Cyl. In-line DOHC, 4-Valve
Type	Variable Geometry Turbo Charged Air to Air Intercooled
Displacement	3 litre (2998cc)
Bore	95.8mm
Stroke	104mm
Power (DIN)	110kW @ 2840~3500 rpm
Torque (DIN)	370Nm @ 1350~2840 rpm
Maximum Engine Speed	4100 rpm
Compression Ratio	17.5:1
Cooling System / Oil Cooler	Water cooled, 13.7L capacity/ Plate type engine oil cooler
Air Cleaner	Paper Element Type with Restrictor Indicator. Vertical Intake Mounted on Clean Air Side (RH)
Emission Control	Diesel Particulate Filter (DPF) Exhaust Dash Display DPF Status 0~9 (Empty~Full) Parked Regeneration possible from 7~9
Emission Level	ADR 80/03 & EEV rated Enhanced Environmentally-Friendly Vehicle Euro 5



Fuel	
Injection System	Bosch Common Rail Direct Injection Bosch Piezo Technology Injectors
Tank Type	Rectangular Steel Tank with Locking Cap
Fuel Capacity *	100 Litres
Filtration	Filter with Water Separator and Indicator Sensor
Notes	*Max Fill to approx 95% of Air Capacity

Cooling	
Fan Drive	Thermo modulated continuous control (Viscous)
Radiator	Corrugated Fin with Expansion Tank

Electrical	
Voltage	12V Negative Earth
Battery Capacity	2x12V, 70Ah/5hr
Battery Specification	115D31L x2
Headlamp Type	Halogen
Headlamp Capacity	2x55W/60W
Body Builder Harness	Yes*
Notes	*Standard from October 2021 build

Clutch		
Clutch Model	A B Fully Automated Dual Clutch (no clutch pedal)	C D FUSO C4W30
Type	A B Dual Clutch (Wet Multi-plate)	C D Single Dry Plate, Direct Hydraulic Type

Transmission		
Version	A B FUSO Duonic M038S6	C D FUSO M038S5
Type/Speeds	A B 6 Speed Dual Clutch with Auto and Manual Modes	C D 5 Speed with In-Dash Gearshift Lever
Features	A B Virtually Instant Gear Changes In-Dash Gear Lever with Park Brake Position ECO Mode to Minimise Fuel Usage	C D Synchromesh 1st-5th
Ratios	A B 1st: 5.397 2nd: 3.788 3rd: 2.310 4th: 1.474 5th: 1.000 6th: 0.701 Rev. 5.397	C D 1st: 5.494 2nd: 3.193 3rd: 1.689 4th: 1.000 5th: 0.723 Rev. 4.494
PTO Opening	LH Side	

Front Axle	
Axle Version	FUSO F200T
Type	Independent Front Suspension
Capacity *	2300kg
Notes	*See MAX LOADING for vehicle capacity.

Front Suspension	
Type	Double Wishbone Independent Front Suspension with Coil Springs and Shock Absorbers

Rear Axle	
Type	Full Floating Banjo Type
Axle Version	FUSO R030T
Capacity*	3800kg
Ratio	4.444:1
Notes	*See MAX LOADING for vehicle capacity.

Rear Suspension	
Type	Steel Suspension
Details	Parabolic Leaf with Shock Absorbers
Size Main Leaves	1100x70mm

Max Loading	
Front	2180kg
Rear	3800kg
Total	4495kg

Options	
---------	--

# CANTER SPECIFICATIONS

MODEL	WHEEL BASE	GVM (optional)	GCM (optional)
A 4x2 515 Wide Cab SWB 6 Sp. Duonic AMT (FEB21CR3SFBC)	2800mm	4,495kg	7,995kg
B 4x2 515 Wide Cab MWB 6 Sp. Duonic AMT (FEB21ER3SFBC)	3400mm	4,495kg	7,995kg
C 4x2 515 Wide Cab SWB 5 Sp. Manual (FEB21CR4SFBC)	2800mm	4,495kg	7,995kg
D 4x2 515 Wide Cab MWB 5 Sp. Manual (FEB21ER4SFBC)	3400mm	4,495kg	7,995kg

## Steering

Type	Rack & Pinion
Steering Column	Tilt/Telescopic Adjustable
Power Assist	Standard

## Brakes

Type	Hydraulic Dual Circuit with Front and Rear Discs Single Calliper Front and Rear
Size Front	219x28mm
Size Rear	219x28mm
Features	ABS plus EBD (Electronic Brake Distribution) Active Emergency Braking System (AEBS) Electronic Stability Program (ESP) Exhaust Brake Brake Priority System Electronic Brake Wear Sensors (From Aug 20 build)
Park Brake	Transmission Mounted

## Wheels & Tyres

Wheel Type	7 x Single Piece Disc Rims (Including Spare)
Wheel Size	16.0x5.5K-115
Wheel Stud Pattern	5 Stud 208 PCD
Tyre Size All	185/85R16 111/109
Spare Tyre Carrier	Provided

## Chassis

Type	Reinforced Tapered Channel
Size	188x60x4mm
Width	748mm
Tensile Strength	540 MPa

## Instruments

Gauges	Speedometer with Odometer Tachometer Fuel Level Water Temperature
Colour Information Display	Fuel Consumption DPF Bar Chart from 1-9 Water Temperature Lane Departure Warning Maintenance Reminder System Tripmeters

## Multi-Media Package

Satellite Navigation	Maps with heavy vehicle weight, length, height & hazardous material selectable restrictions with 3 years of Map updates
Colour Display	7 inch LCD with touch screen control
Phone Connectivity	Bluetooth® hands free
Audio Visual Entertainment	Bluetooth® music streaming compatible Digital radio DAB+ (also AM/FM for areas not covered by DAB+) USB & 3.5mm/AUX port
Reversing Camera Compatible	Display can accept up to 5 cameras#
Optional Accessories (available at additional cost)	Rear Mounted Parking Sensor Kit High or Low Tyre Pressure Monitoring System
Notes	# Cameras available through spare parts

## Standard Features

Airbag(s)	Dual Air Bags and Seat Belt Pre-Tensioners (Driver & Far Side Passenger)	
Active Safety Features	ABS plus Electronic Brake force Distribution (EBD) Advanced Emergency Braking (AEBS) Anti-Slip Regulator (ASR) Electronic Stability Program (ESP) Lane Departure Warning System (LDWS)	
Cruise Control	A B Yes	C D No
Hill Start System	Yes	
Cab Cooling & Heating	Air Conditioner / Heater / Demister	
Accessory Power	12V Accessory Power Outlet / Cigar Lighter	
Driving	Fuso Multimedia Unit Keyless Central Locking Electric Windows Cup Holders (2)	
Storage	Dual Overhead Storage Pockets In-Dash Centre Document Storage Door Storage Pockets Dash Storage Tray (1 DIN) Coat Hooks	
Cab: External	Front End-Outline Marker Lamps Door Side Impact Beams	
Chassis	Reverse Warning Buzzer Factory Reverse Camera with Infrared Display and Audible Pickup (Supply only in Cabin with Cab Chassis)	

## Cab Features

Type	All Steel Forward Control Manual Tilt	
Cab Structure	ECE-R29 European Cab Strength Approved	
Mounting	Hydroelastic 4 Point	
Additional Engine Access	A B Removable Engine Access Panel	C D N/A
Colour	Natural White	
Windscreen Wipers	2 Speed + Intermittent Cycle with Integrated Washer Nozzles	
Rear Vision Mirrors	1 x Internal 2 x External Convex (ECE 46) - Heated	
Seating Capacity	3	
Seat Belts	Lap Sash Belts for Outside Seating Positions Lap Belt for Centre Seat Driver Seat Belt Warning (From Aug 20 build)	
Seat (driver)	Suspended with Weight Adjustment, LH Arm Rest and Lumbar Support	
Seats (passenger)	Flat Folding, 2 Passenger Bench	

## Service Intervals

Interval*	30,000km or 12 Months (whichever occurs first)
Notes	* based on normal operating conditions and may be reduced when operating under severe conditions.

## Warranty

Basic/Powertrain	5 Years or 200,000kms (whichever occurs first)
Cab Perforation/Anti Corrosion	5 Years

## Performance

Turning Circle (kerb to kerb - metres)	A C 9.4	B D 11.0
Road Speed (km/h) at Max Engine Speed	137	
Engine Speed (rpm) at 100km/hr (top gear)	A B 2346	C D 2420
Gradeability at Rated GVM (theoretical)*	45%	
Notes	*This is theoretical performance only. Actual performance may vary under different conditions	

# CANTER SPECIFICATIONS

## MODEL

A	4x2 515 Wide Cab SWB 6 Sp. Duonic AMT (FEB21CR3SFBC)
B	4x2 515 Wide Cab MWB 6 Sp. Duonic AMT (FEB21ER3SFBC)
C	4x2 515 Wide Cab SWB 5 Sp. Manual (FEB21CR4SFBC)
D	4x2 515 Wide Cab MWB 5 Sp. Manual (FEB21ER4SFBC)

## WHEEL BASE

2800mm
3400mm
2800mm
3400mm

## GVM (optional)

4,495kg
4,495kg
4,495kg
4,495kg

## GCM (optional)

7,995kg
7,995kg
7,995kg
7,995kg

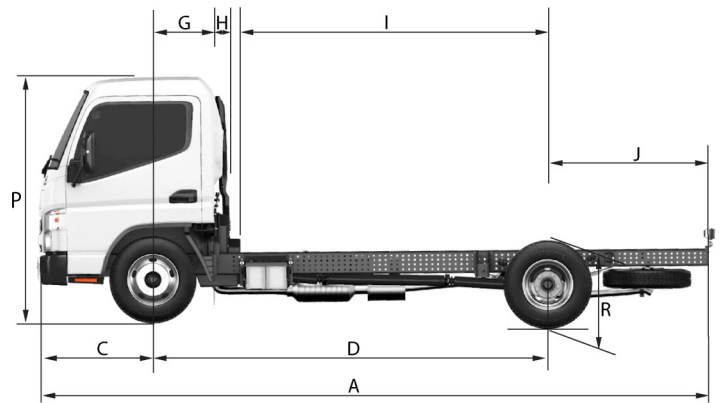
Mass estimated*				
Front*	A D	B	C	
	1460kg	1480kg	1445kg	
Rear*	A	B D		C
	555kg	560kg		550kg
Total*	A	B	C	D
	2015kg	2040kg	1995kg	2020kg
Notes	* Mass (est.) includes oil and water but excludes spare wheel, tools & fuel. Weights provided are subject to 3.5% variation (+/-)			

## Dimensions mm

WFF (Width Front Fender) (mm)	1995			
WRA (Width Rear Axle) (mm)	1929			
WRT (Width Rear Track) (mm)	1495			
Width Frame (mm)	748			
A - Length Overall (mm)	A C	B D		
	5135	5785		
C - Front Overhang (mm)	1140			
D - Wheelbase (mm)	A C	B D		
	2800	3400		
G - Front Axle to Rear of Cab (mm)	525			
H - Rear of Cab to Rearmost Item Behind Cab (mm)	A B	C D		
	50	81		
I - Rearmost Item Behind Cab to Rear Axle (mm)	A	B	C	D
	2225	2825	2194	2794
J - Frame, Rear Axle to End (mm)	A C	B D		
	1195	1395		
P - Height Cab to Ground (mm)	2165			
Q - Height Cab to Frame (mm)	1516			
R - Height Rear Frame to Ground (mm)	A C	B D		
	728	727		

## Body Builder's Notes

Notes	<p>Chassis reinforcement must be utilised for Tipper/Demountable type body configurations. To conform with ADR 13/00 and 14/02 (lighting/mirror requirements) the following must be adhered to at body installation.</p> <ul style="list-style-type: none"> <li>- If overall width exceeds 2.1 metres and other than flat type or tipper body is fitted, rear end-outline markers must be installed.</li> <li>- If overall length exceeds 6.0 metres, side reflectors must be installed.</li> <li>- If overall length exceeds 7.5 metres and width exceeds 2.1 metres, side marker lamps must be installed.</li> <li>- If overall width is less than 2.2 metres, the mirrors must be modified to project not more than 230mm. To conform with ADR 42/04 (General Safety), rear wheel guards must be fitted to the vehicle.</li> </ul>
-------	---



Call 1800 033 557

or visit [fuso.com.au](http://fuso.com.au)

Unless specified in writing herein the accessories, applications, bodies or equipment depicted in this are for illustration purposes only and may not be available from Daimler Truck Australia Pacific Pty Ltd. ABN 86 618 413 282 DTAuP. No representation or warranty whatsoever is given in relation to any accessories, applications, bodies or equipment or suitability of same that are shown herein that may be manufactured, supplied or fitted by a party other than DTAuP. DTAuP reserves the right without notice or obligation to discontinue or make changes to the colour, designs, materials and specifications of the products and options referred to herein at any time. For the most current information and in order to ascertain which accessories, applications, bodies and equipment are available from DTAuP please contact your authorised FUSO dealer. Fuso is a registered trademark of Daimler Truck Australia Pacific Pty Ltd. Copyright DTAuP. Reproduction in whole or part prohibited without written approval. Part Number TSC121B-SSV1. Valid from 05-Nov-21.